

1 2 3 4 5 6 7 8

A

A

B

B

C

C

D

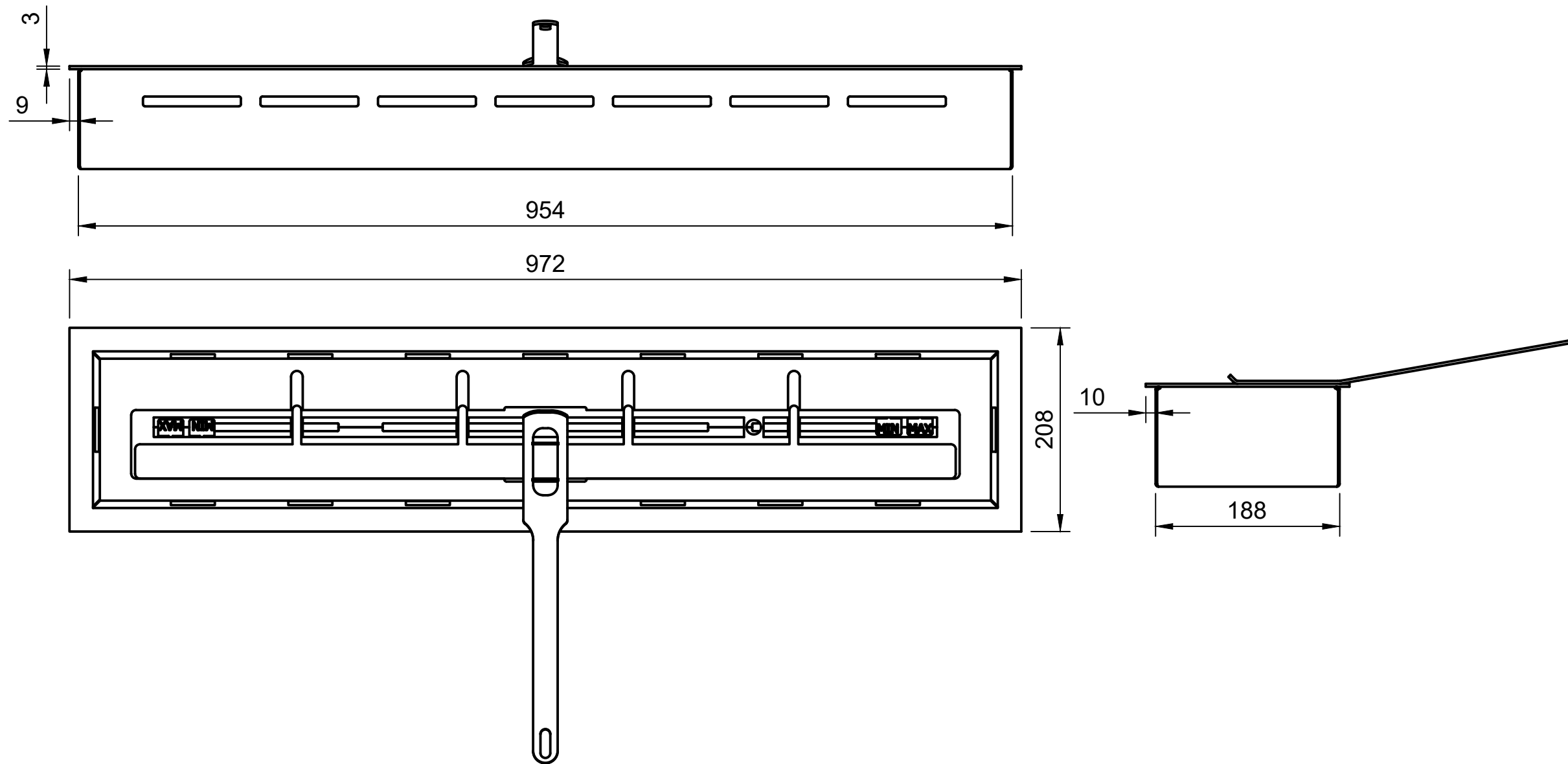
D

E

E

F

F



The drawing is subject to copyright Biopasja Sp. z o.o. Industrial design protection own by Biopasja Sp. z o.o RCD002681213

Artflame 900 karta k

Project No	900
Drawing No	Rys.01

Scale	Format	Drawn by	Drawn date
1:10	A3	Adam	10/06/2019
Rev.	Approved by	Rev. by	Rev. Date

BIOPASJA

LOOKING FOR PRICES - SEE ON QUALITY AND SAFETY WE STANDS FOR 10 YEARS OF EXPERIENCE

This drawing is our exclusive property and may not without our consent be utilized, reproduced, transmitted or communicated to a third party.

1 2 3 4 5 6 7 8