

1 2 3 4 5 6 7 8

A

B

C

D

E

F

A

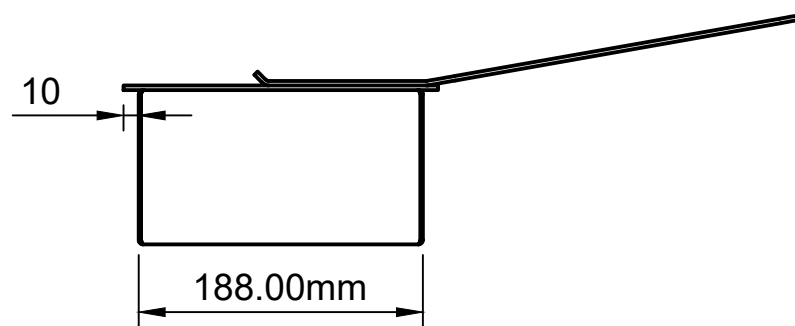
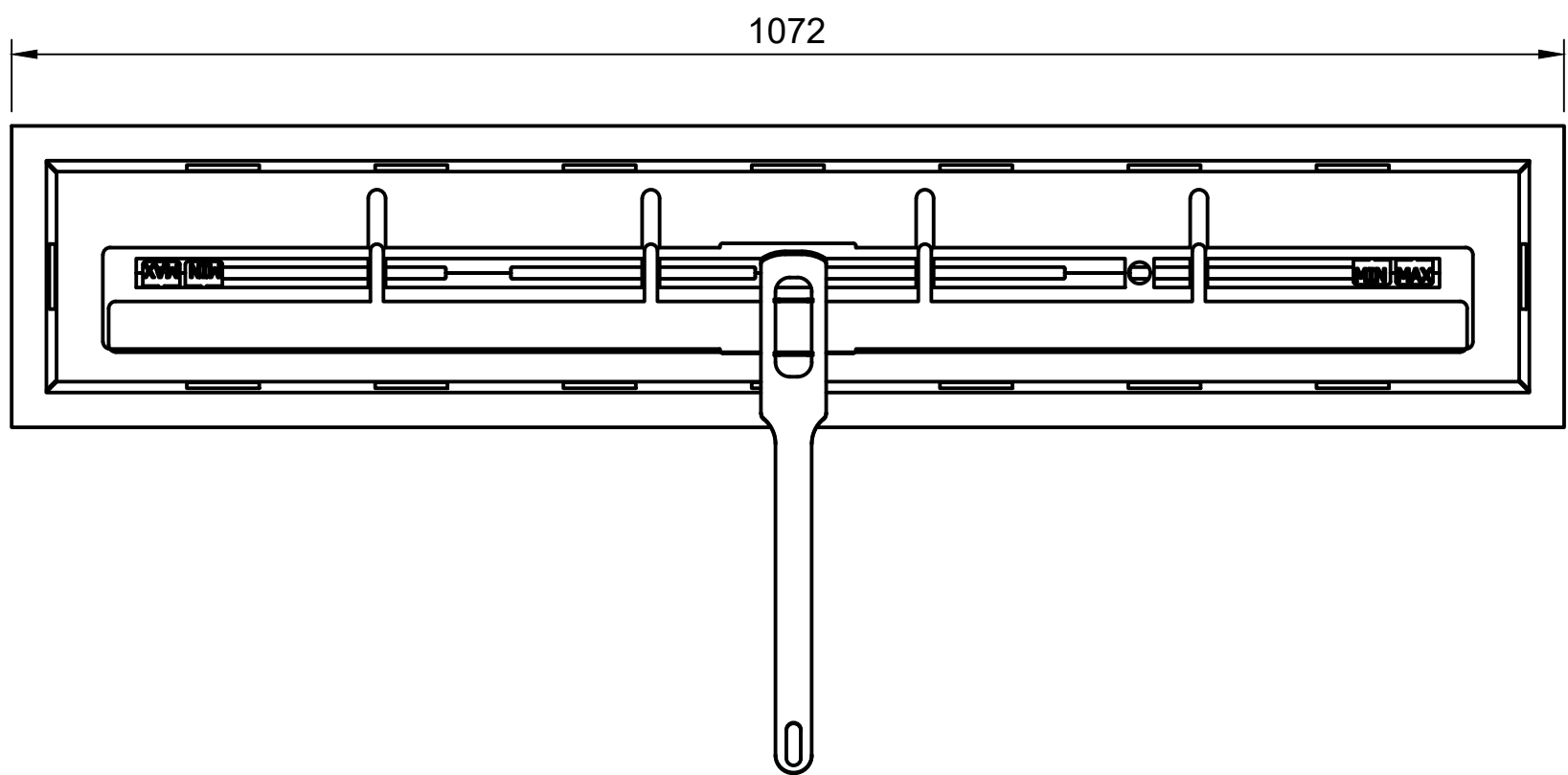
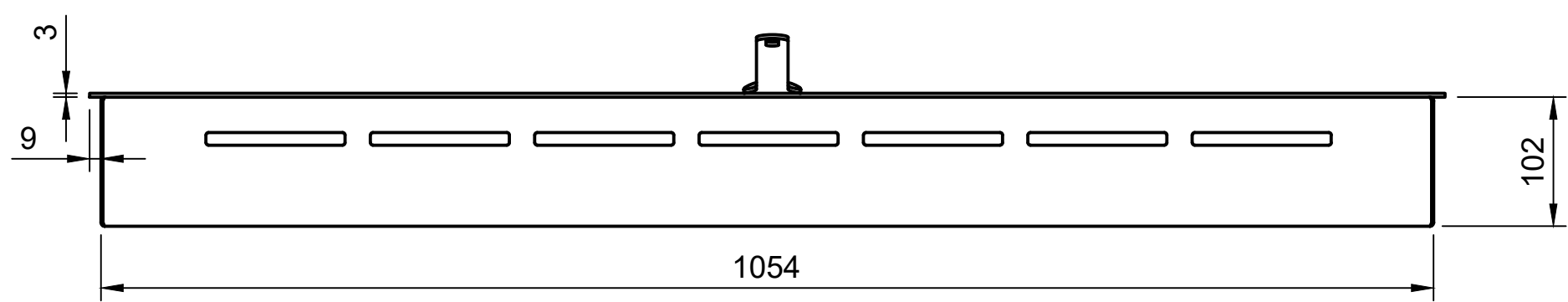
B

C

D

E

F



The drawing is subject to copyright Biopasja Sp. z o.o. Industrial design protection own by Biopasja Sp. z o.o RCD002681213

LOOKING FOR PRICES - SEE ON QUALITY AND SAFETY WE STANDS FOR 10 YEARS OF EXPERIENCE

Artflame 1000 karta k				Project No	1000
				Drawing No	Rys.01
Scale	Format	Drawn by	Drawn date	<b>BIOPASJA</b>	
1:10	A3	Adam	10/06/2019		
Rev.	Approved by	Rev. by	Rev. Date		

This drawing is our exclusive property and may not without our consent be utilized, reproduced, transmitted or communicated to a third party.

1 2 3 4 5 6 7 8