

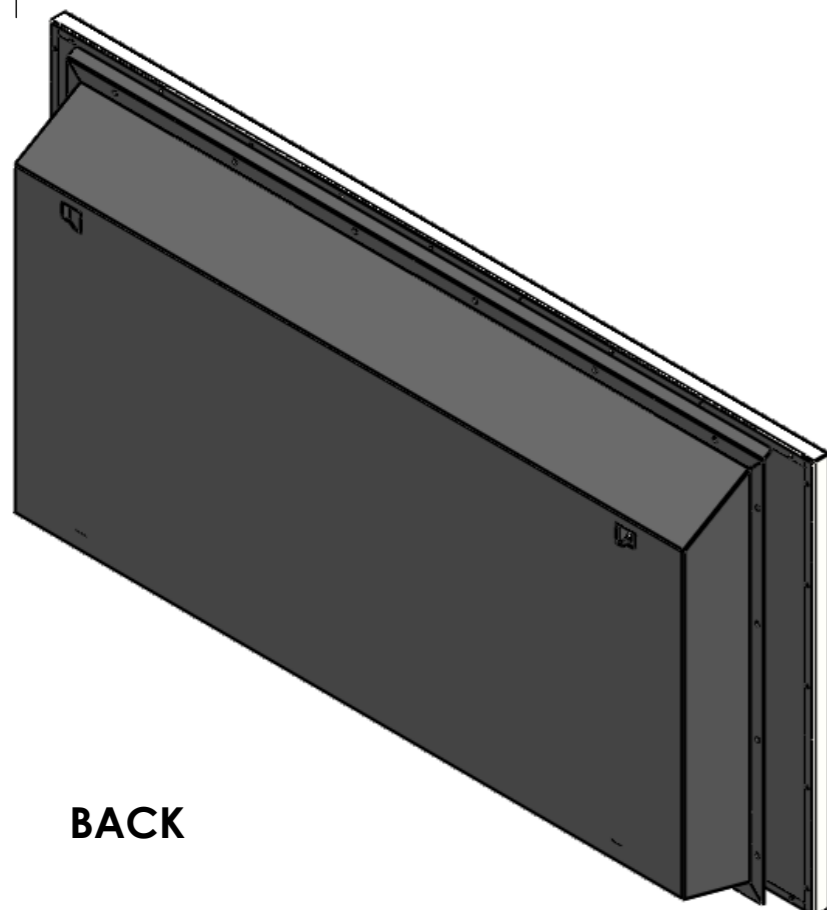
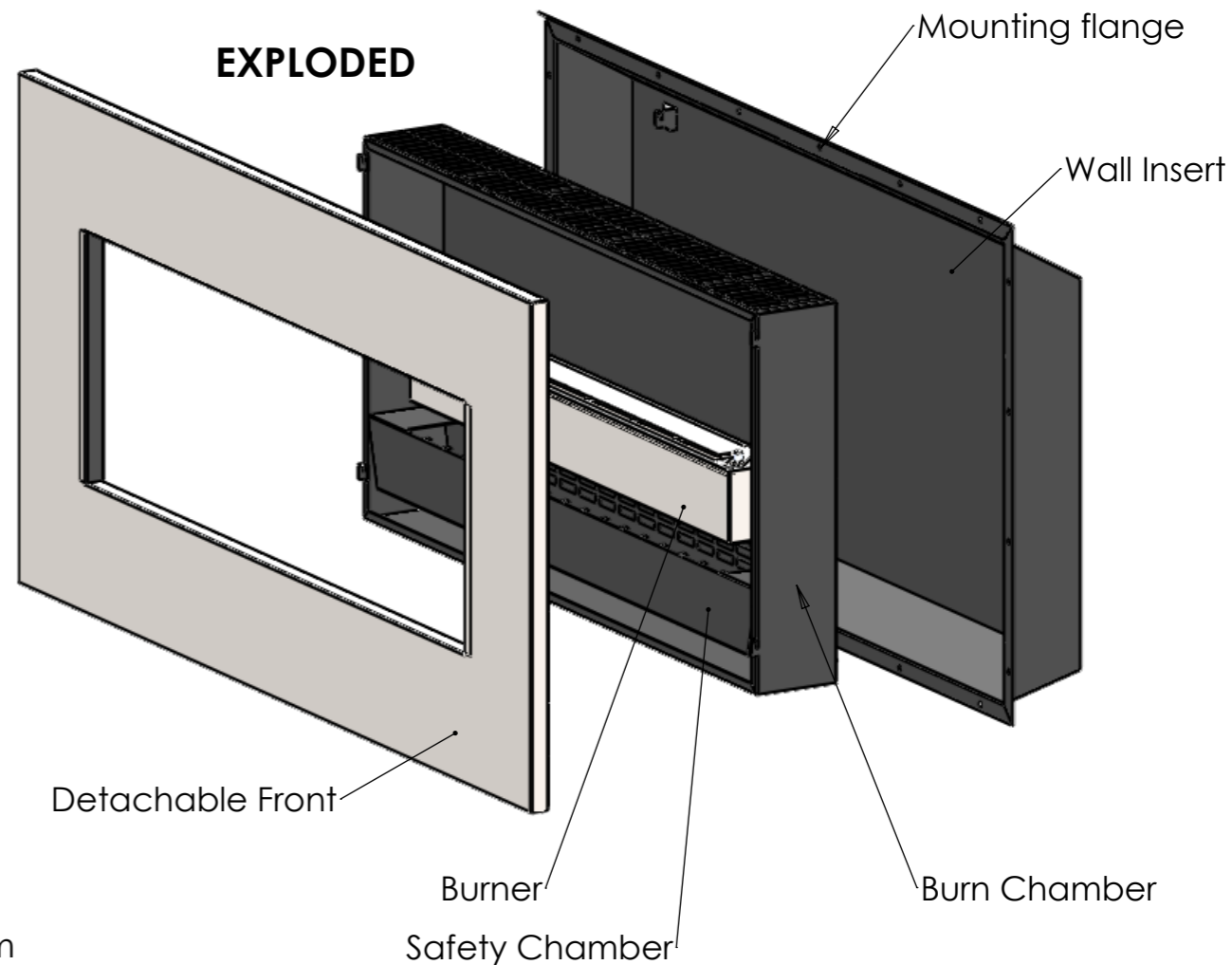
OBS: All build in tolerances are: +2/-0mm

Visible Depth 49mm

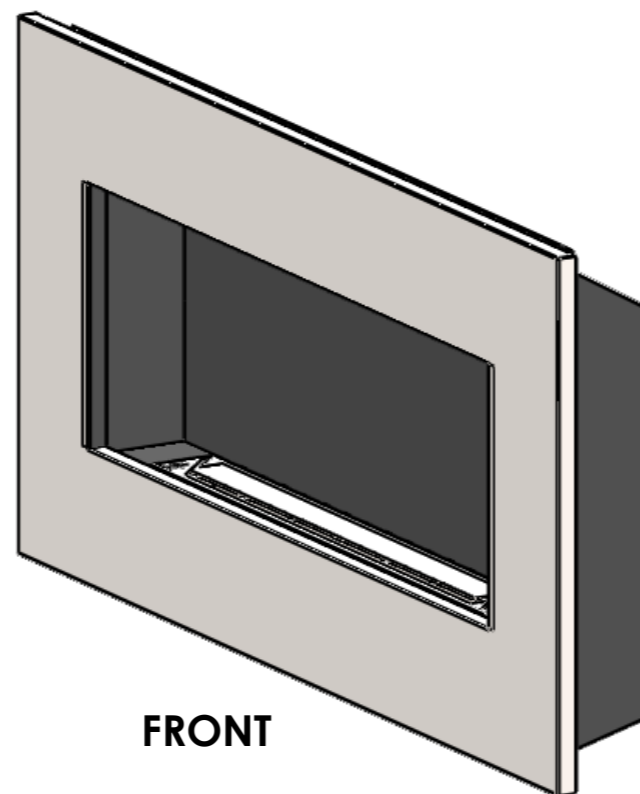
Built In Width
 Empire 1008mm
 Plaza 808mm
 Tower 488mm

Built In Height
 Empire 542mm
 Plaza 498mm
 Tower 758mm

Built In Depth
 Empire Min 110mm
 Plaza Min 110mm
 Tower Min 110mm




BACK



FRONT

Installing New York Built In fireplace

1. Create a cut out matching the dimensions shown on the drawing.
2. (Ideally with a frame like a window opening for support)
3. Place the wall insert in cutout and make sure that it is in level.
4. Secure the wall insert with fasteners made for the specific wall type. (Use the holes in the mounting flange as shown above)
5. Hang the Burn chamber on the intergrated mount on the wall insert and secure the chamber with the included hair needle pins.
5. Place the saftey chamber in the burn chamber.
6. Finally the Burner is inserted and the front is hung on to the burn chamber.

WEIGHT: 32.85 kg		 DecoFlame ApS Stenholm 14 DK-9400 Nørresundby TLF: +45 96 30 48 00 www.decoflame.com		Dimensions are in millimeters Tolerances: ISO DS2768-m
E		DATE	NAME	STATUS:
D		DWN by 19-08-2008		
C		CHKT by Dato	Navn	TITLE:
B				
A	Dato			DWG NO. New York Built In Guide A3 SHEET 1 OF 1
REVISION:	A	OFFER-NO.:		
Copyright of DecoFlame ApS Denmark, whose property this document remains. No part thereof may be disclosed, copied, duplicated or in any other way made use of, except with the approval of DecoFlame ApS DecoFlame Denmark.		MATERIAL:		ORDER-NO. : PROJECT:
		SCALE: 1:8		